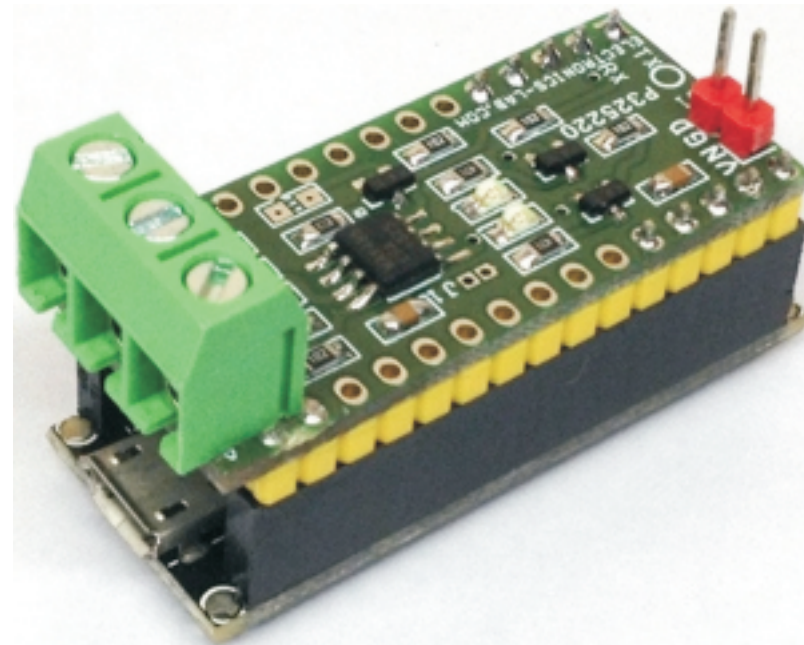


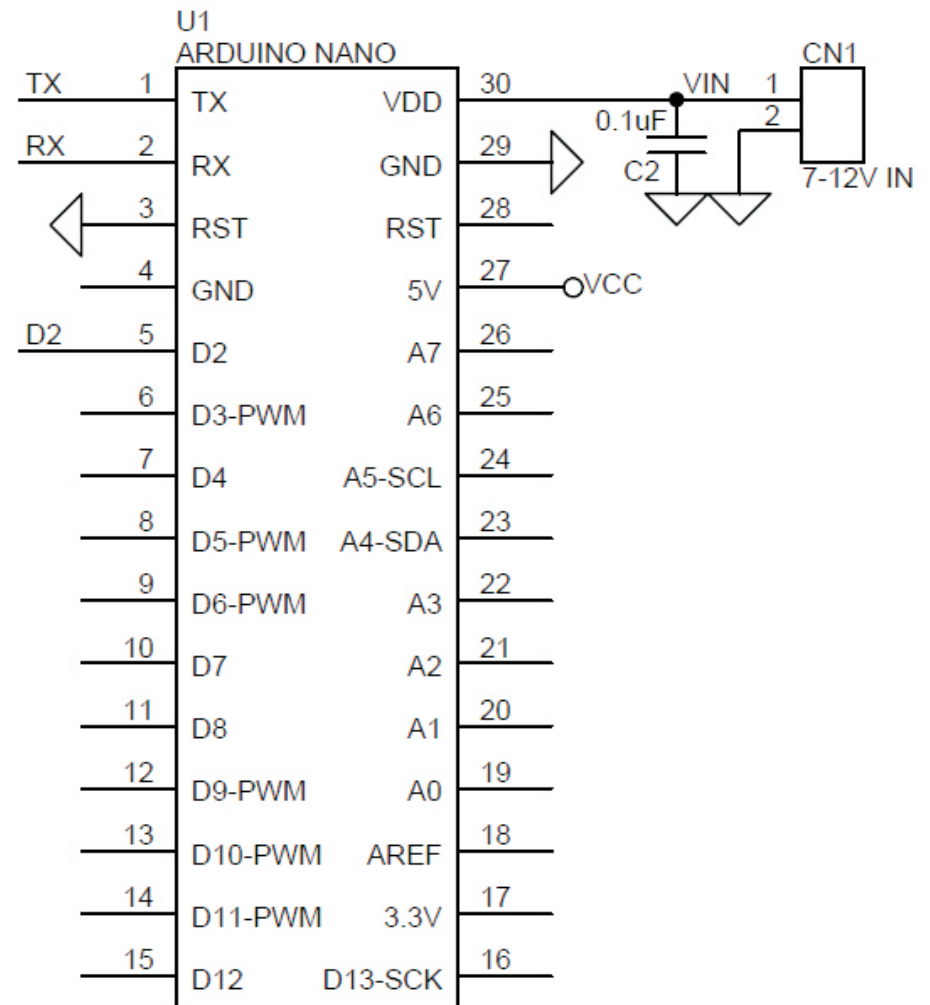
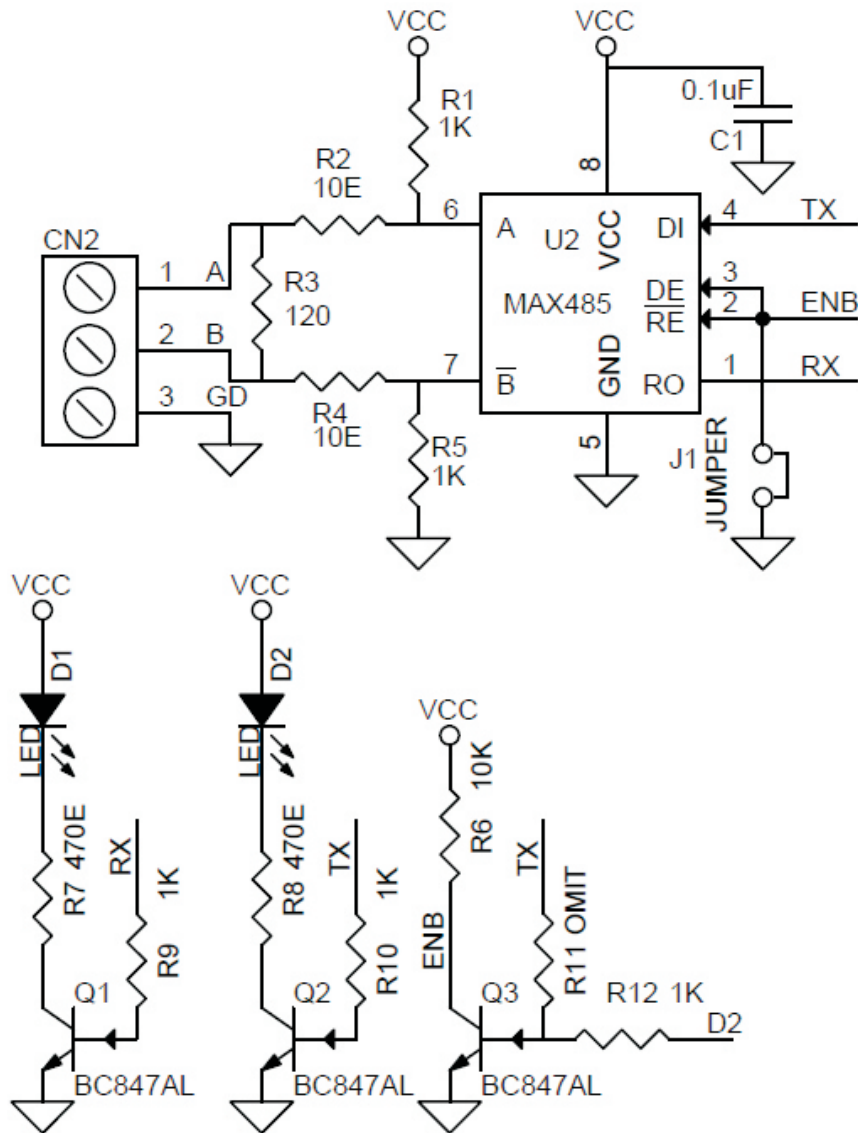
RS485 Shield For Arduino Nano

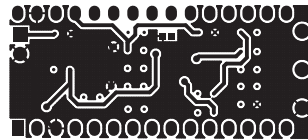
Arduino Nano RS485 shield help you to transmit and receive serial data using the twisted pair RS485 network. The module provides half duplex communication. LED D1 indicates receive data, D2 Transmit LED, J1 jumper optional no use in this application. DI/RE connected to D2 of Arduino digital pin which is enables Receiver Output /Driver Output. CN1 connector supply input, CN2 3 pin screw terminal helps to connected twisted pair cable. The unit can communicate over 4000 feet of 26AWG twisted-pair wire at 110 kHz into 120Ω loads.

- **Features**

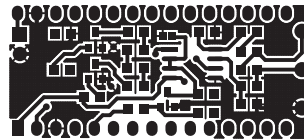
- Supply 7-12V DC
- D2 Transmit LED, D1 Receiver LED
- PCB Dimensions 40.46mm x 17.98mm





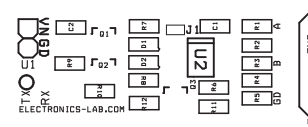


Bottom Layer



Top Layer

PCB Dimensions 40.46mm x 17.98mm



Silk Screen Top

BOM			
SR.	QNTY.	REF.	DESC.
1	1	CN1	2 PIN HEADER CONNECTOR
2	1	CN2	3 PIN SCREW TERMINAL
3	2	C1,C2	0.1uF SMD 0805
4	2	D1,D2	LED SMD 0805
5	1	J1	PCB SOLDER JUMPER
6	3	Q1,Q2,Q3	BC847AL SMD
7	5	R1,R5,R9,R10,R12	1K SMD 0805
8	2	R2,R4	10E SMD 0805
9	1	R3	120E SMD 0805
10	1	R6	10K SMD 0805
11	2	R7,R8	470E SMD 0805
12	1	R11	OMIT
13	1	U1	ARDUINO NANO SHIELD
14	1	U2	MAX485 SMD SO8

